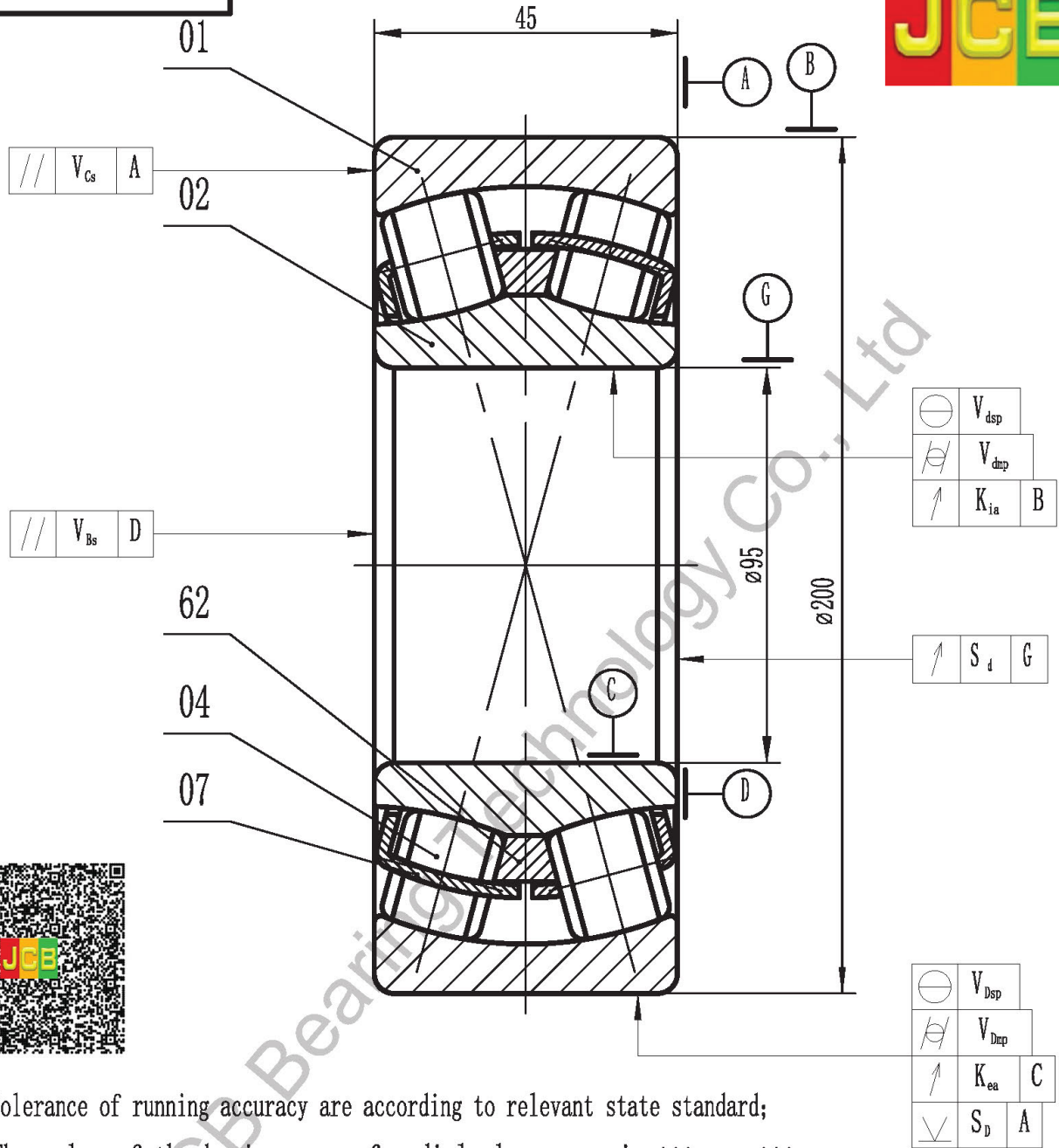


E 21319



1. Tolerance of running accuracy are according to relevant state standard;
2. The value of the basic group of radial clearance: min *** max ***;
3. Rated load: Cr=**** kN Cor=**** kN.

| 62 | Guide ring | | Steel 20—GB699 | | | |
|-----|------------|-----|------------------------------------|-------------|-------|--------|
| 07 | Cage | | Steel St 52-EN 10025:1990 + A:1993 | | | |
| 04 | Roller | | Steel 100Cr6—ISO 683-17:1999 | | | |
| 02 | Inner ring | | Steel 100Cr6—ISO 683-17:1999 | | | |
| 01 | Outer ring | | Steel 100Cr6—ISO 683-17:1999 | | | |
| No. | Name | Qty | Material | Unit | Total | Remark |
| | | | | Weight (kg) | | |

| | | | | |
|---|---|--|----------------|-------|
| Luoyang JCB Bearing Technology Co., Ltd Contact information Company Address : No. 285, Fenghua road, Luoyang, Henan, China. Postal code : 471000 Phone : 86-379-68611678 Fax : 86-379-68611679 E-mail: sales@jcb-bearing.com Reserved E-mail: sales@sphericalrollerbearing.net Website: www.jcb-bearing.com www.sphericalrollerbearing.net | Spherical Roller Bearing | | 21319 E | |
| | | | Weight(kg) | Scale |
| | S | | | — |
| | Total page 6 | | Page No. 1 | |
| | Luoyang JCB Bearing Technology Co., Ltd | | | |